

SPECIFICATIONS

**TRADITIONAL
BACK-TO-BACK PULL**



FEATURES

- Traditional styling
- Multiple finishes
- Concealed installation

WARRANTY

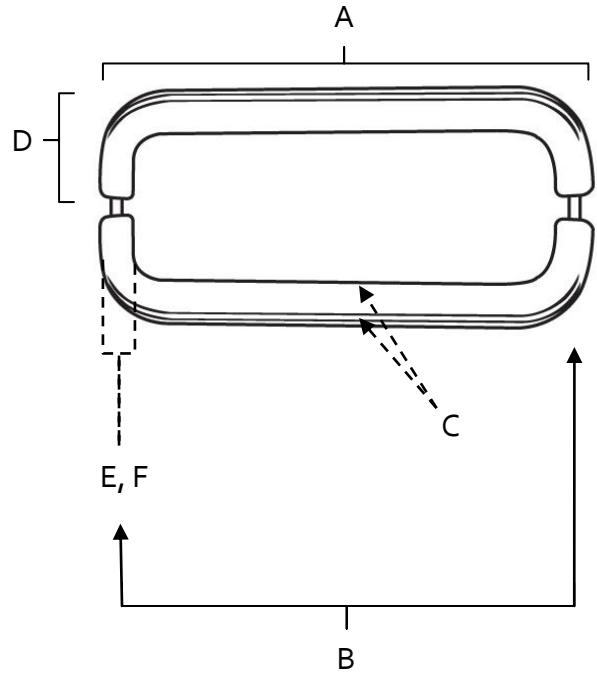
Limited lifetime

FINISHES

- Polished Brass (PB)
- Polished Chrome (PC)
- Barcelona (BARC)
- Bronze (BRZ)
- Polished Antique (PA)
- Polished Nickel (PN)
- Satin Nickel (SN)

MATERIAL

Brass



Item#	A	B	C	D	E (L)	F (W)
D214-BB	10 3/4"	10"	1 1/8"	2 1/4"	1 1/2"	1 1/8"

KEY:

- A - Overall Length
- B - Center to Center
- C - Handle Width
- D - Projection
- E - Mount Length
- F - Mount Width

NOTE: Dimensions and specifications are subject to change without notice.